



广东宏磊达光电科技有限公司

Guandong Hongleida Optoelectronic Technology CO., LTD

# 产品说明书

## (PART DESCRIPTION)

产品名称 ( PRODUCT NAME )	大功率 LED 透镜
产品型号 ( PRODUCT NO )	LHH1015T-C06
版本号 (EDITION NO)	01A
说明书编号 (MANUAL NO. )	20110503001
日期 (DATE)	2011. 05. 03



# 广东宏磊达光电科技有限公司

Guandong Hongleida Optoelectronic Technology CO., LTD

## 目录 (CATALOGUE)

产品照片 (Product photographs)	.....	3
产品图纸 (Product drawings)	.....	4
光照及角度曲线 (Illumination and Angle curve)	.....	5
测试数据 (Test data)	.....	6
系列产品 (Series products)	.....	7
包装方式 (Packing)	.....	8
使用说明 (Instructions)	.....	9



广东宏磊达光电科技有限公司

Guandong Hongleida Optoelectronic Technology CO., LTD

LHH1015T-C06

产品照片 (Product photographs)



正面 (Face)



反面 (Inverse)

备注 (Note) :

(1) 透镜材料为 PMMA, 颜色为透明。

(Lens material is PMMA, and color is transparent.

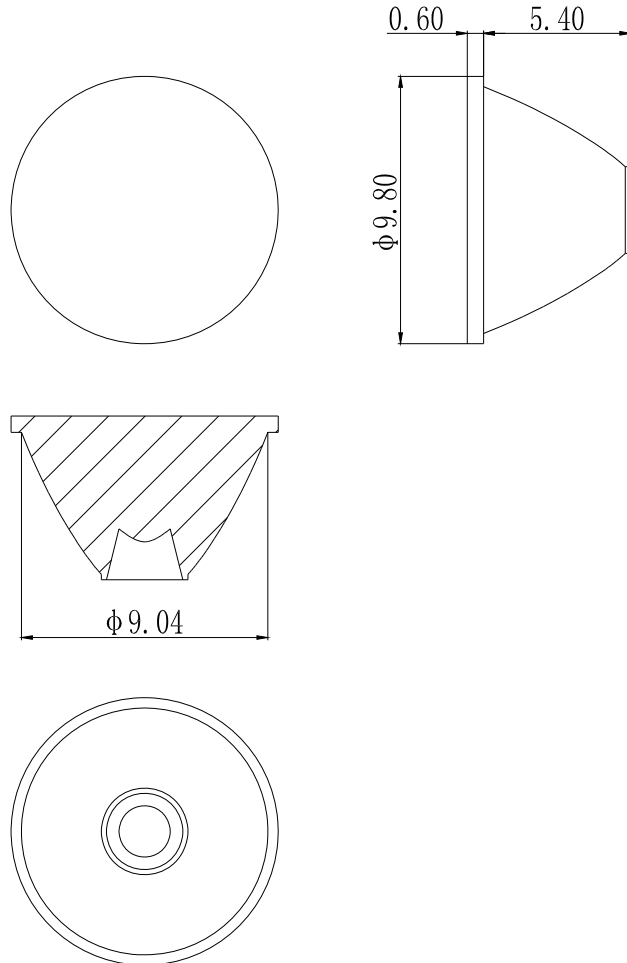
(2) 禁止用任何工业溶剂清洗透镜, 例如酒精。

(Never use any commercial cleaning solvents on lenses, like alcohol.

*Create fine products to serve the society!*



## 产品图纸(Product drawings)



备注 (Note) :

(1) 必须按照上面规定的尺寸来制造产品。

(Specific size can be made according to requirements.)

(2) 这里所有的尺寸都为毫米, 图纸和产品是相对应的。

(The unit of all the dimensions is mm, and the drawing follows a certain proportion.)

(3) 工作时控制的温度变化范围:  $-40^{\circ}\text{C} \sim + 80^{\circ}\text{C}$

(Operating Temperature range  $-40^{\circ}\text{C} \sim + 80^{\circ}\text{C}$  )

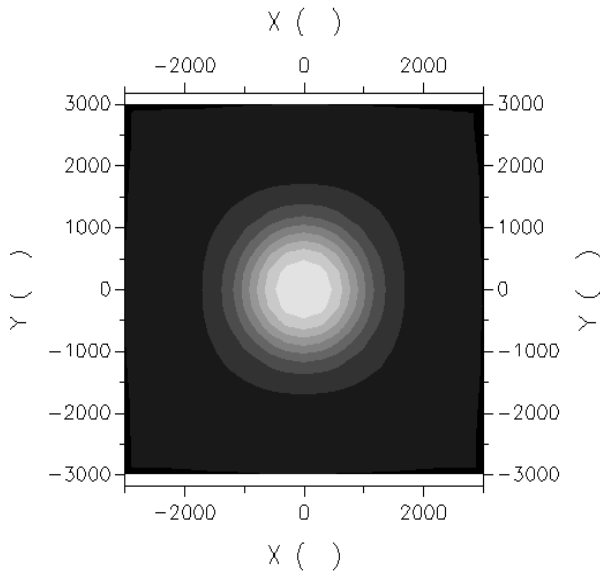
(4) 贮存温度:  $0^{\circ}\text{C} \sim + 40^{\circ}\text{C}$

(Storage Temperature range  $0^{\circ}\text{C} \sim + 40^{\circ}\text{C}$ )

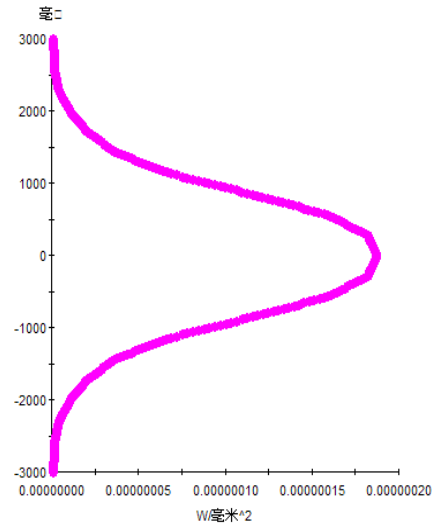


## 光照及角度曲线(Illumination and Angle curve)

Irradiance Chart

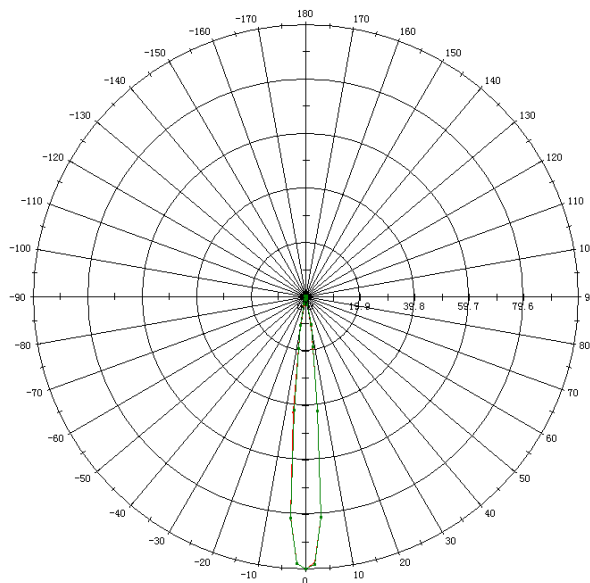


X (毫米) = 0, Y (毫米) = 0, Value = 1.87366e-007



Current Y Slice (毫米)

15度.farFieldReceiver\_74.Intensity Slices  
强度 (%)



Total Collected Power = 679.36668 lm  
Efficiency = 0.99973  
Maximum Intensity = 12975.13475 cd

— L = 0.00000  
— L = 90.00000



## 测试数据 (Test data)

光源 ( LIGHT SOURCE )	透镜 ( LENS )	出光角度 (Out Light Range Degree)			
		10%	25%	50%	75%
EVERLIGHT C06	LHH1015T-C06	48.5	32.7	18.5	10.2
EVERLIGHT C19	LHH1015T-C06	60.4	38.9	22.2	13.1
SAMSUNG 3535	LHH1015T-C06	46.7	31	20.1	14.2
GREE XPE	LHH1015T-C06	36	24.9	14.8	9.6
CREE XTE	LHH1015T-C06	61.4	38.3	18.7	9.9
CREE XBD	LHH1015T-C06	45.5	29.6	18.4	11.6
REBEL	LHH1015T-C06	46.6	33.0	18.5	10.7
天电 3535	LHH1015T-C06	48.8	30.3	17.7	11.3



## 系列产品 (Series Products)

型号 (Part NO)	外形尺寸 (Shape Size)	产品照片 (Product Photographs)
LHH1015T-C06-YGW5	φ 11.2*7.5	
LHH1015T-C06-YGW1	φ 11.2*7.5	
LHH1015T-C06-YGW2	φ 11.2*7.5	
LHH1015T-C06-YGW3	φ 11.2*7.5	



## 包装方式 (Packing)

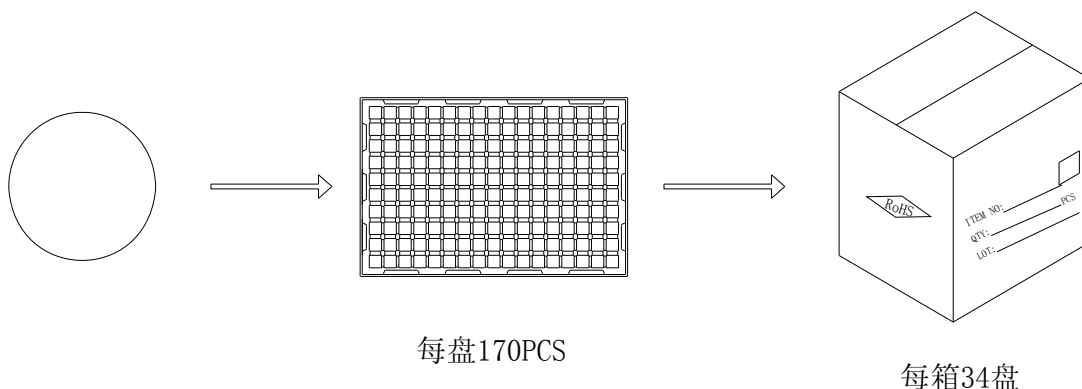
1、LHH1015T-C06 包装方式 (packing):

1.1、包材 (Packaging material):

32\*21\*0.9CM 吸塑盒 (Clamshell boxes ); 34\*23\*30CM 纸箱 (cartons);

1.2、数量 (QTY): 170PCS/盒\*34 盒=5780PCS/箱;

1.3、包装示意图 (Packaging schemes ):



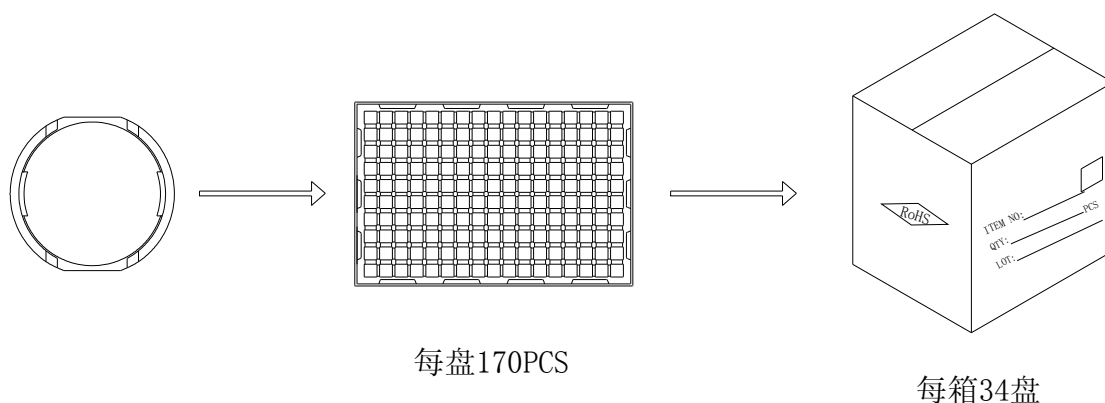
2、LHH1015T-C06-YGW1/YGW2/YGW3/YGW5 包装方式 (packing):

2.1、包材 (Packaging material):

32\*21\*0.9CM 吸塑盒 (Clamshell boxes ); 34\*23\*30CM 纸箱 (cartons);

2.2、数量 (QTY): 170PCS/盒\*34 盒=5780PCS/箱;

2.3、包装示意图 (Packaging schemes ):







## 使用说明 (Instructions)

- (1) 如果必须清洗透镜请用少量水和柔软的布（无尘纸）擦拭。

(If necessary, clean lenses with mild soap, water and soft cloth.)

- (2) 禁止用工业溶剂清洗透镜，例如酒精。

(Never use any commercial cleaning solvents on lenses, like alcohol.)

- (3) 工作环境时透镜的温度控制在 $-40^{\circ}\text{C}\sim+80^{\circ}\text{C}$

(Lens operating Temperature range  $-40^{\circ}\text{C}$  to  $+80^{\circ}\text{C}$ .)

- (4) 贮存环境要求，温度： $0^{\circ}\text{C}\sim40^{\circ}\text{C}$  ， 湿度： $30\%\sim95\%$ 。

(Alternatively the following environment is recommended: Storage temperature:  $0^{\circ}\text{C}$  to  $40^{\circ}\text{C}$ , Humidity:  $30\%$  to  $95\%$  HR max.)

- (5) 透镜具有导光和聚光功能，由透明材料制成，污染后可直接影响其功能，于是在未使用请勿打开包装，预防灰尘等污染。

(This kind of lens can make the lighting more concentrated , and it' s made from the transparent material, The functions will be affected once they were polluted, so please do not open the packages until you use them , in case of the dust and other pollutions.)

- (6) 避免阳光直射和其他带有紫外线的射线照射，易产生老化、变色、裂变等不良效果。

(Please Avoid the lens contacting with the sunlight and other ultraviolet radiations directly, it' s very easy to produce the bad effects , such as aging, discoloration, fission and so on .)

- (7) 请在安装透镜时戴手套，透镜表面的磨损会影响其出光效果。

(Please handle or install lens with wearing gloves, skin oils may damage lens optical characteristic.)

- (8) 禁止用酸性或碱性溶剂接触产品，易产生化学反应。

(Please prohibit the acidic or alkaline solvent contacting with the lens directly, or the chemical reaction will be happened very easily.)